

ACTUATORS AND VALVES

ACTUATORS

SPRING RETURN PLANT VALVE ACTUATORS

VA7820 - VA7830

FLOATING AND PROPORTIONAL CONTROL

The VA78x0 Spring Return Actuator with 1000 N thrust for valves in Heating, Ventilation and Air Conditioning applications is available for Floating or Proportional control.

All models have manual override as standard and provide stroke capabilities of 7 mm to 25 mm. Proportional models are self-calibrating.

The actuator is intended for use with Johnson Controls VG7000 and VGS800 threaded valves as well as VG8000 and VG9000 flanged valves.

All valves should be fitted in accordance with the maximum close-off pressure ratings specified. Valve/actuators can be ordered as separate units or as a factory fitted valve/actuator combinations.

FEATURES

- Proportional Actuators are self calibrating
- All models can also be used as floating and ON/OFF actuators
- Force controlled motor shut-off
- Manual override as standard
- IP54 enclosure protection
- Delivered with fitted 1.5 m cable and wire terminals
- Status LED
- Control-Signal failure - stem to pre-determined position
- Stroke position indicator
- Spring Return functions

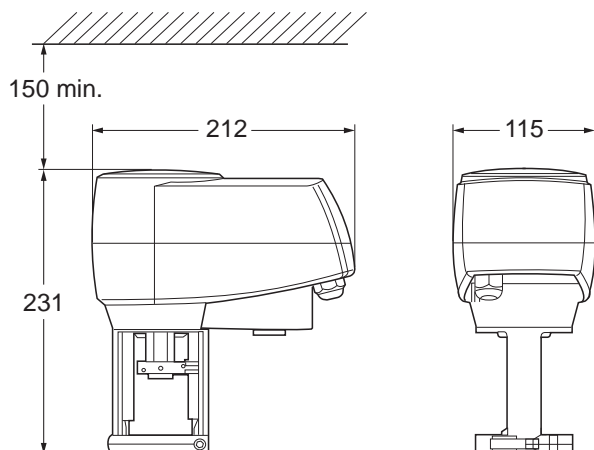




ACTUATORS

VA7800 SPRING RETURN PLANT VALVE ACTUATORS

DIMENSIONS (in mm)



ORDERING INFORMATION

CODES	SUPPLY VOLTAGE (50/60 Hz)	ACTION CONTROL	FORCE (N)	STROKE (mm)	FULL STROKE TIME (s)	PROTECTION CLASS	POWER CONSUMPTION	SPRING RETURN ACTION	ACCESSORIES FACTORY MOUNTED
Actuator with threaded coupler for VG7000 valves									
VA7820-GGA-11	24 VAC	ON/OFF, Floating or Proportional	1000	25	150 (selectable 75)	IP54	11 VA	Actuator stem retracts	---
VA7820-GGC-11								2 aux switches	
VA7830-GGA-11								Actuator stem extend	---
VA7830-GGC-11								2 aux switches	
Actuator with clamp coupler for VG8000 and VG9000 valves									
VA7820-GGA-12	24 VAC	ON/OFF, Floating or Proportional	1000	25	150 (selectable 75)	IP54	11 VA	Actuator stem retracts	---
VA7820-GGC-12								2 aux switches	
VA7830-GGA-12								Actuator stem extend	---
VA7830-GGC-12								2 aux switches	